

# WAVE



SOUND  
INSULATION



MANUAL



SEVERAL FINISHES



GLASS





FLOOR SUPPORTED  
TOP HUNG  
OPERABLE WALL



INFOSYS, UNITED KINGDOM - WAVE



FLOREAT INVESTMENTS, UNITED KINGDOM - WAVE



ACCENTURE, PORTUGAL - WAVE



BIBLIOTHÈQUE, FRANCE - WAVE



ACCENTURE, PORTUGAL - WAVE



PCTS HEADQUARTERS, PORTUGAL - WAVE



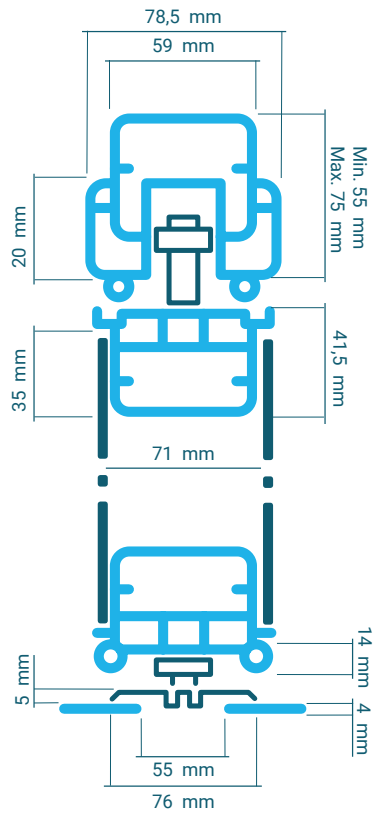


PRIMARK, SPAIN - WAVE



**DESSO, UNITED KINGDOM - WAVE**

## FLOOR SUPPORTED



CENTRE FOLDING

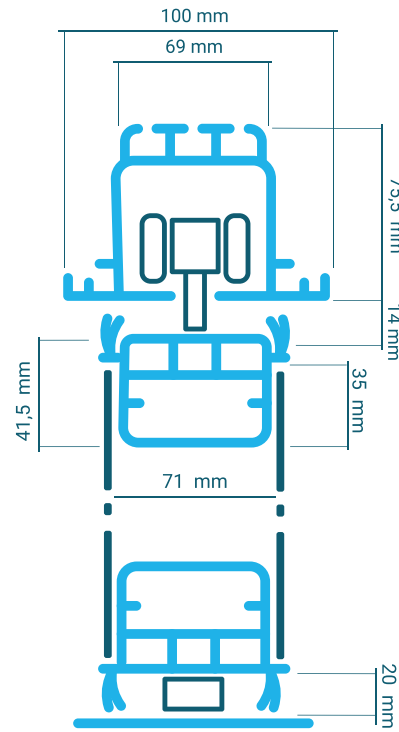


SIDE STACKING



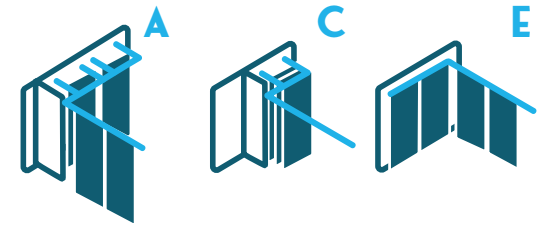
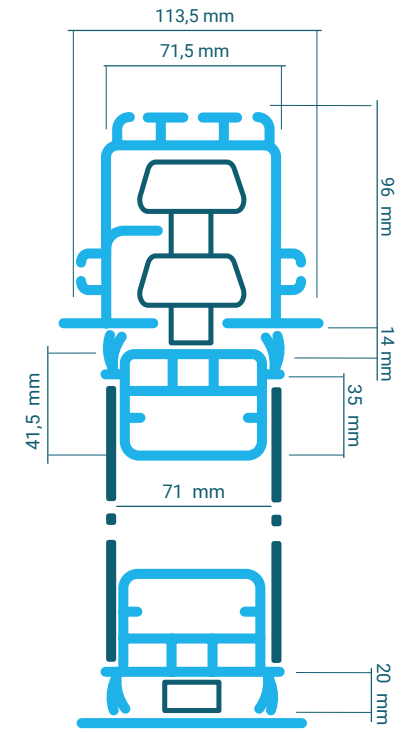
Continuously hinged wall with its weight supported on the floor track.

## TOP HUNG



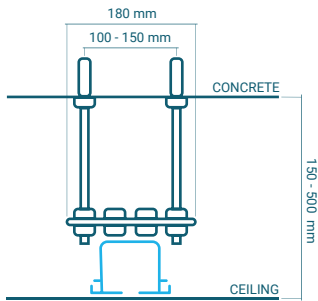
Suspended continuously hinged wall with no floor track.

## OPERABLE WALL

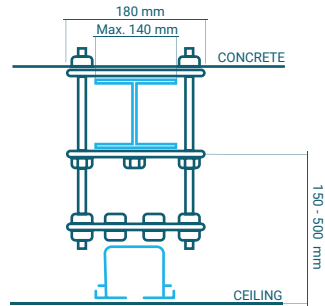


Suspended independent element wall with no floor track.

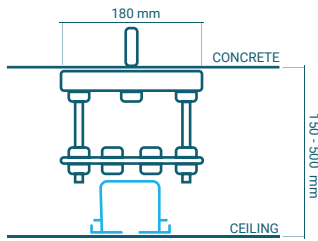
# SUSPENSIONS



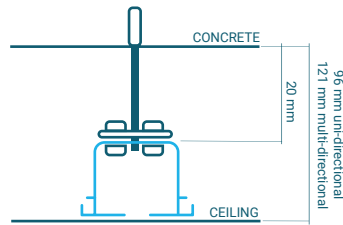
CONCRETE



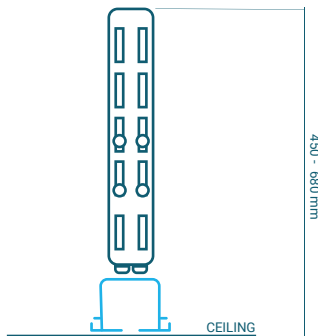
STEEL BEAM WITH 3 PLATES



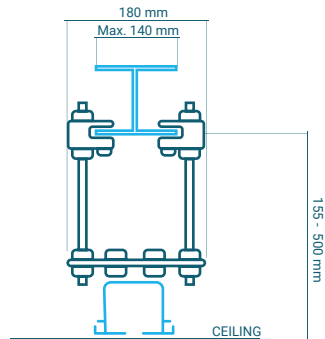
BENT PLATE



DIRECT



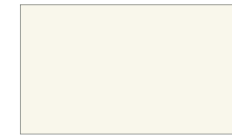
LONGITUDINAL



STEEL BEAM WITH CLAMPS

# FINISHES

MFC



WHITE - B3822

HPL

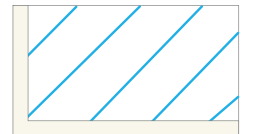


WRITABLE WHITE BRIGHT

Glass

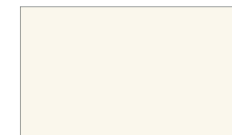


JET BLACK - RAL 9005



PURE WHITE - RAL 9010

Lacquering



RAL 9010 - PURE WHITE  
Textured

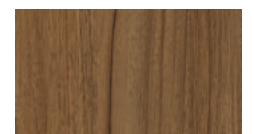


RAL 9005 - JET BLACK  
Textured

Special  
Lacquering



NATURAL NEBRASKA OAK



NATURAL DIJON WALNUT

Note: Other panel finishes and, profiles and glass painting upon request.

## TECHNICAL DATA TABLE

		FLOOR SUPPORTED		TOP HUNG		OPERABLE -WALL	
Dimensions	Thickness in mm	71		70		70	
	Width in mm	500 - 1050		450 - 1050		450 - 1200	
	Height in mm (Max.)	4000		4000		4000	
Construction	Aluminium Profiles	●		●		●	
	Positive & Negative Aluminium Profiles						
Operation	Manual	●		●		●	
	Semi Automatic						
	Full Automatic						
Floor Track		●					
Technical Features	Soundproofing to ISO 10140-2:2010	Rw (dB)	Density (kg/m <sup>2</sup> )	Rw (dB)	Density (kg/m <sup>2</sup> )	Rw (dB)	Density (kg/m <sup>2</sup> )
		42-43	31-28	42-43	31-28	42-43	31-28
Door Handles	Enclosed Handle	●		●		●	
	Pull Handle						
	Extra Handle	●		●		●	
Finishes	Lacquering	●		●		●	
	HPL	●		●		●	
	MFC	●		●		●	
	MDF						
	Glass	●		●		●	
	Special Finishes	●		●		●	
Electrically Controlled Blinds		●		●		●	
Switchable Glass		●		●		●	
Frosted Glass		●		●		●	





---

**ONE WALL  
SEVERAL SPACES**

---